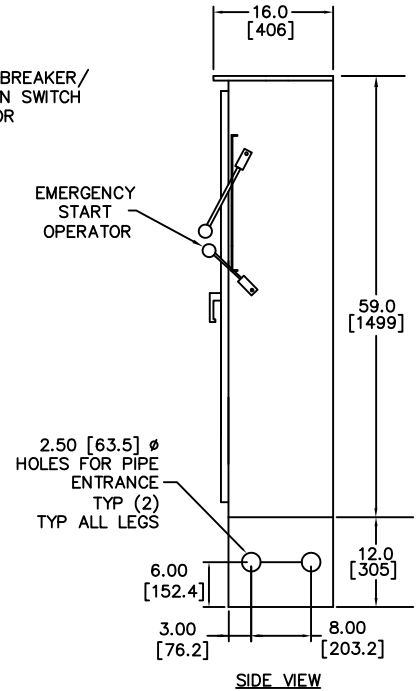
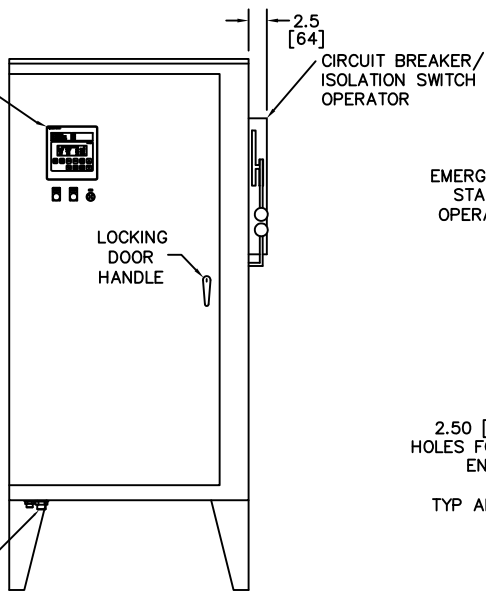
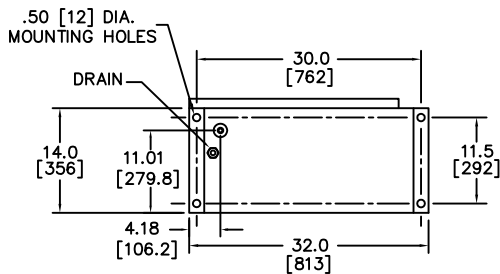


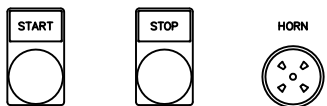
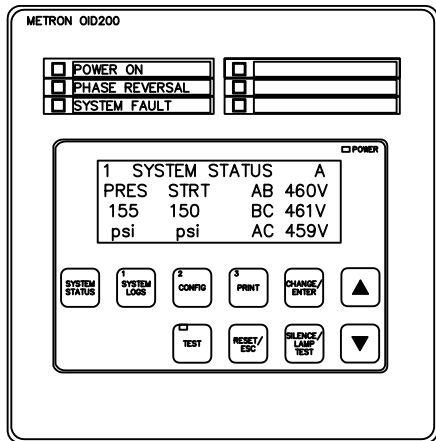
OPERATOR  
INTERFACE  
DEVICE/OID



PRESSURE CONNECTION  
1/2" N.P.T - FEMALE



PILOT DEVICE DETAIL



NOTES:  
ALL DIMENSIONS IN INCHES  
AND MILLIMETERS ([ ])

VOLTAGE	HORSEPOWER
200V	75-125 HP.
208V	100-150 HP.
230V	100-150 HP.
380V, 415V	150-250 HP.
460V	200-300 HP.

DRAWN	/k	11-17-04	 A Division of Hubbell ICD, Inc. 4301 Cheyenne Dr., Archdale, NC 27263
CHECK	RA	11-17-04	
APPD	7A.X	11-17-04	
ENCLOSURE DIMENSIONS MODEL MP300 32" CABINET ELECTRIC FIRE PUMP CONTROLLER			OPTIONS: <b>CD33772C</b>
SCALE N.T.S.			SHEET 1 OF 1